

Technical Specification

<i>P/N: DS-SJ-20100</i>	
Frequency Range(GHz)	0.2 - 1.0
Gain(dBi)	7 Typ.
Polarization	Dual Pol.
3dB Beamwidth(deg)	E Plane: 70 - 50
	H Plane: 120 - 85
Cross Pol. Isolation(dB)	15 Typ. / 10 Min.
Port to Port Isolation(dB)	30 Typ. / 20 Min.
VSWR	2.0:1 Typ. / 3.0:1 Max.
Output	N-Female
Average Power(W CW)	300
Peak Power(KW)	3
Material	Al
Size(mm)	856.6 x 856.6 x 1118.2
Net Weight(Kg)	4.00 Around

<i>P/N: DS-SJ-20100C</i>	
Frequency Range(GHz)	0.2 - 1.0
Gain(dBi)	7 Typ.
Polarization	Dual Pol.
3dB Beamwidth(deg)	E Plane: 70 - 50
	H Plane: 120 - 85
Cross Pol. Isolation(dB)	15 Typ. / 10 Min.
Port to Port Isolation(dB)	30 Typ. / 20 Min.
VSWR	2.5:1 Typ. / 3.5:1 Max.
Output	N-Female
Average Power(W CW)	300
Peak Power(KW)	3
Material	Al
Size(mm)	856.6 x 856.6 x 1110.7
Net Weight(Kg)	4.60 Around

PATENT ID (China)
ZL201630454715.4
AINFO Inc.

Page 1 of 8

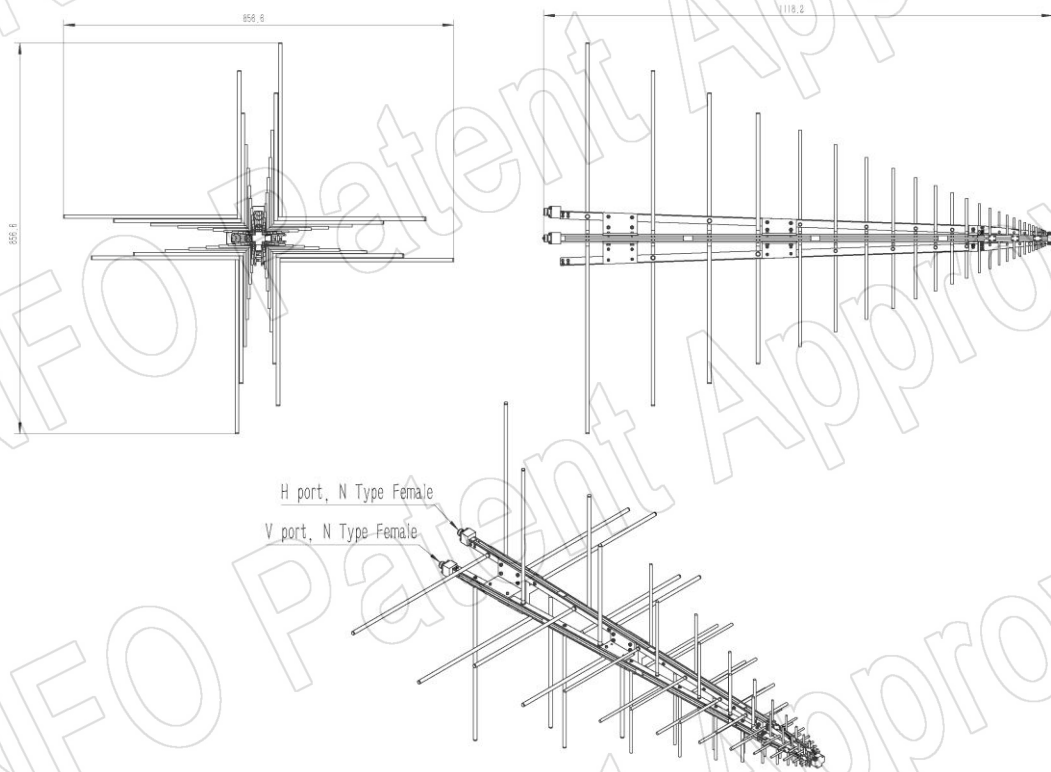
 China(Beijing): Tel: (+86) 10-6266-7326,
 China(Chengdu): Tel: (+86) 28-8519-2786,
 USA : Tel: (+1) 949-639-9688,

 (+86) 10-6266-7327 Fax: (+86) 10-6266-7379
 (+86) 28-8519-3044 Fax: (+86) 28-8519-3068
 (+1) 949-639-9608 Fax: (+1) 949-639-9670

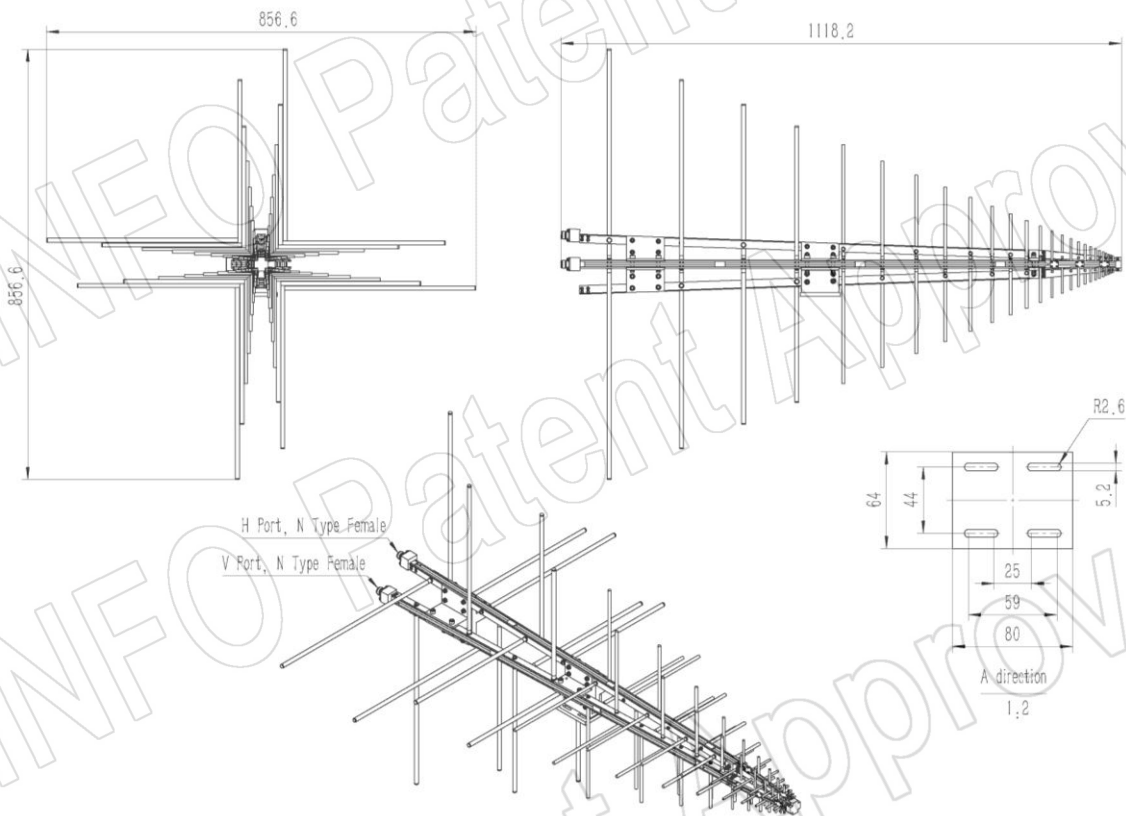
 Website: www.ainfoinc.com
 Email: sales@ainfoinc.com

Outline Drawing (Size: mm)

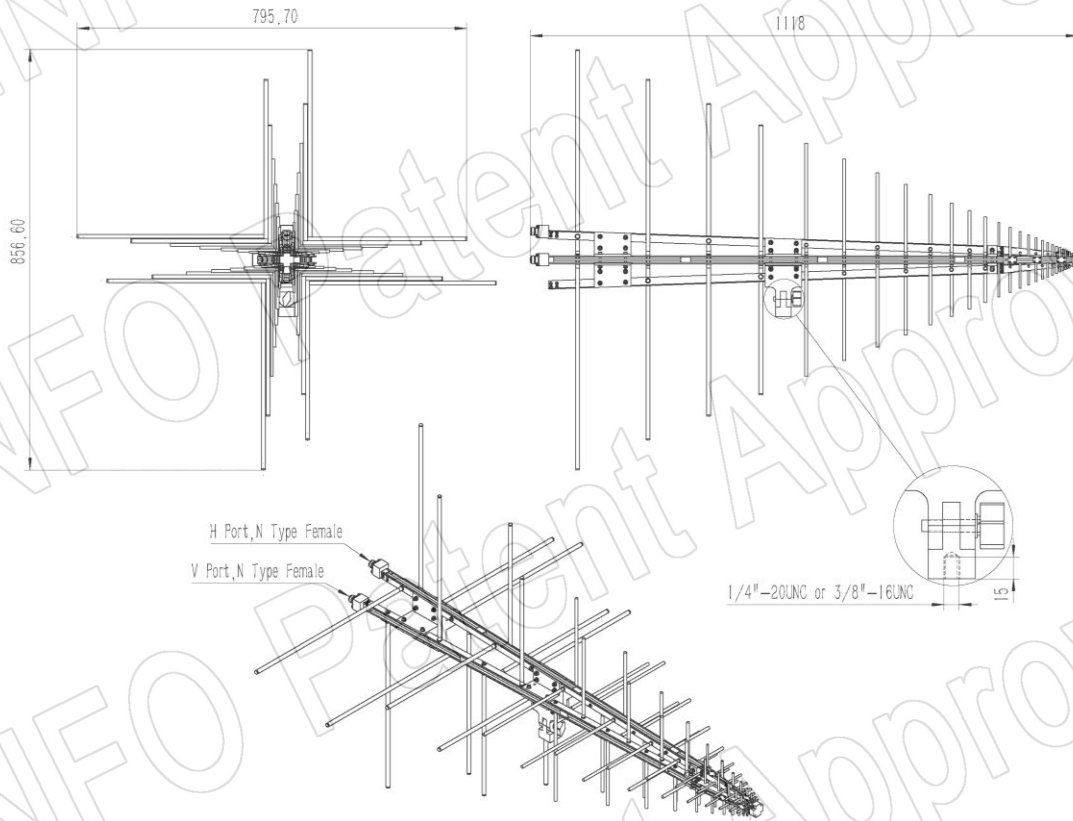
DS-SJ-20100 (P/N: DS-SJ-20100)



DS-SJ-20100 with Mounting Bracket (Option, P/N: DS-SJ-20200-MB)

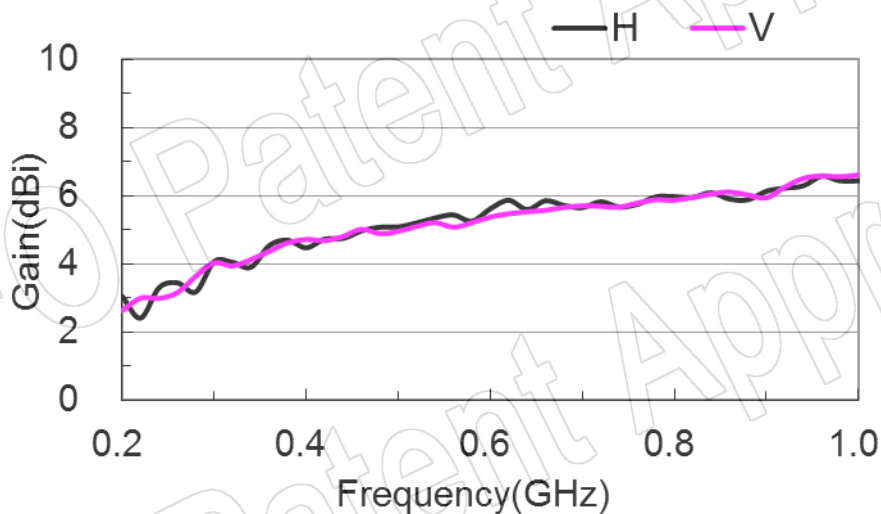


DS-SJ-20100 with Mounting Bracket for Tripod Application (Option, P/N: DS-SJ-20200-MBA)

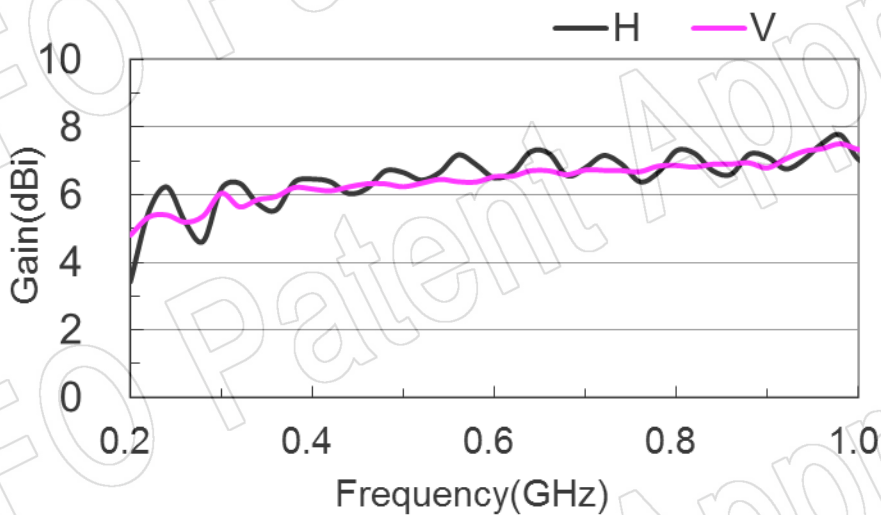


Test Results

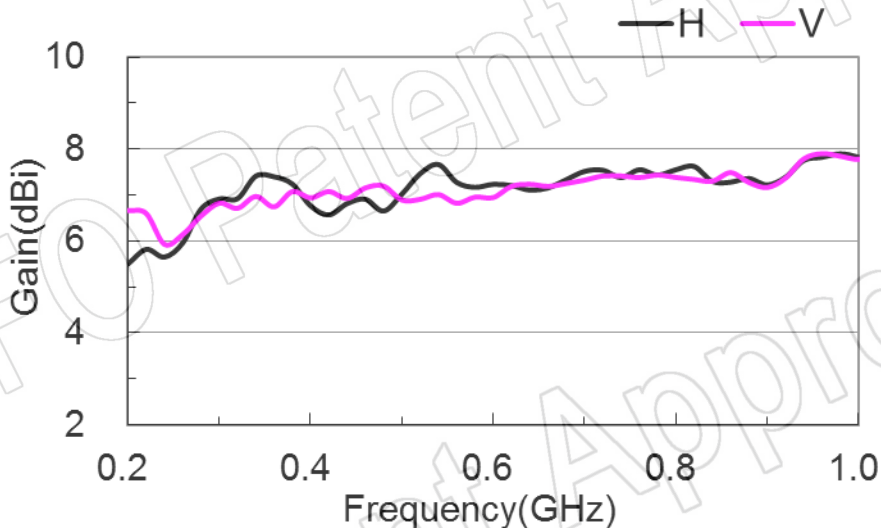
1. Gain at 1m



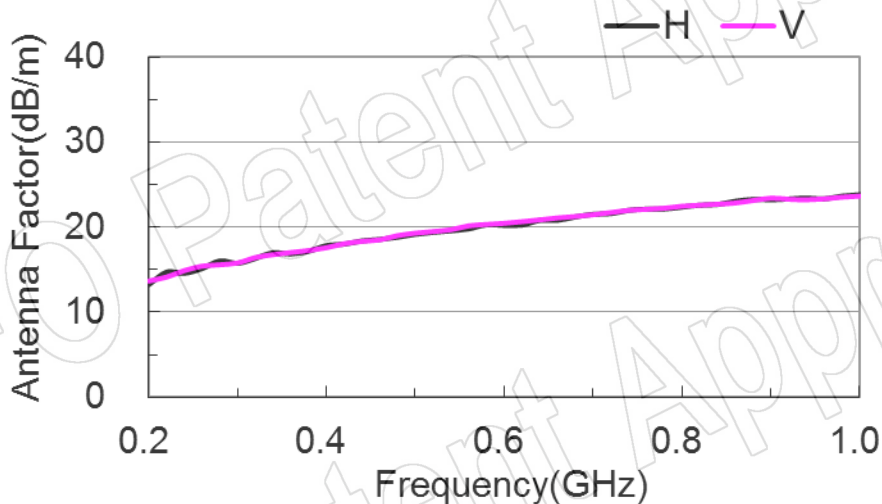
at 3m



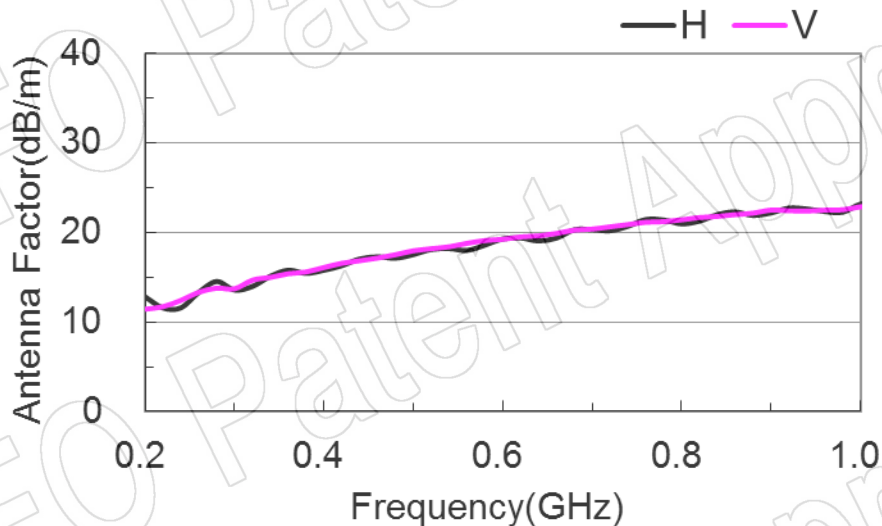
at 10m



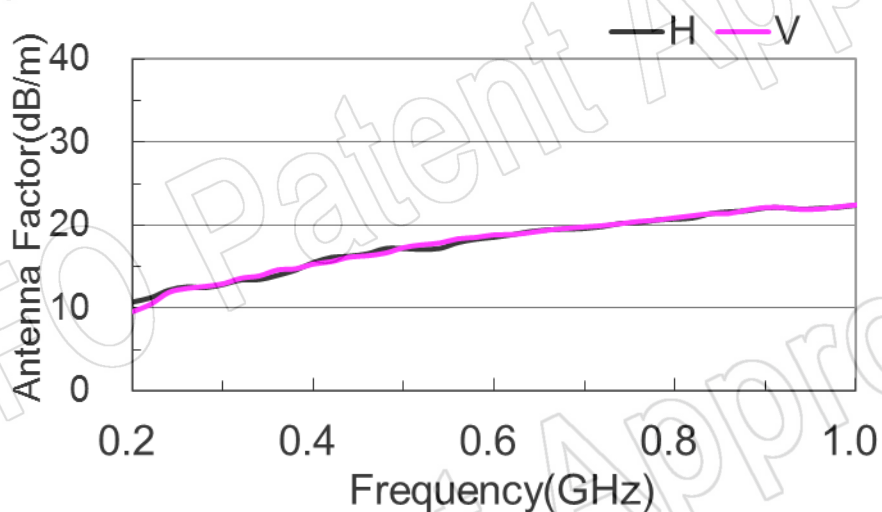
2. Antenna Factor at 1m



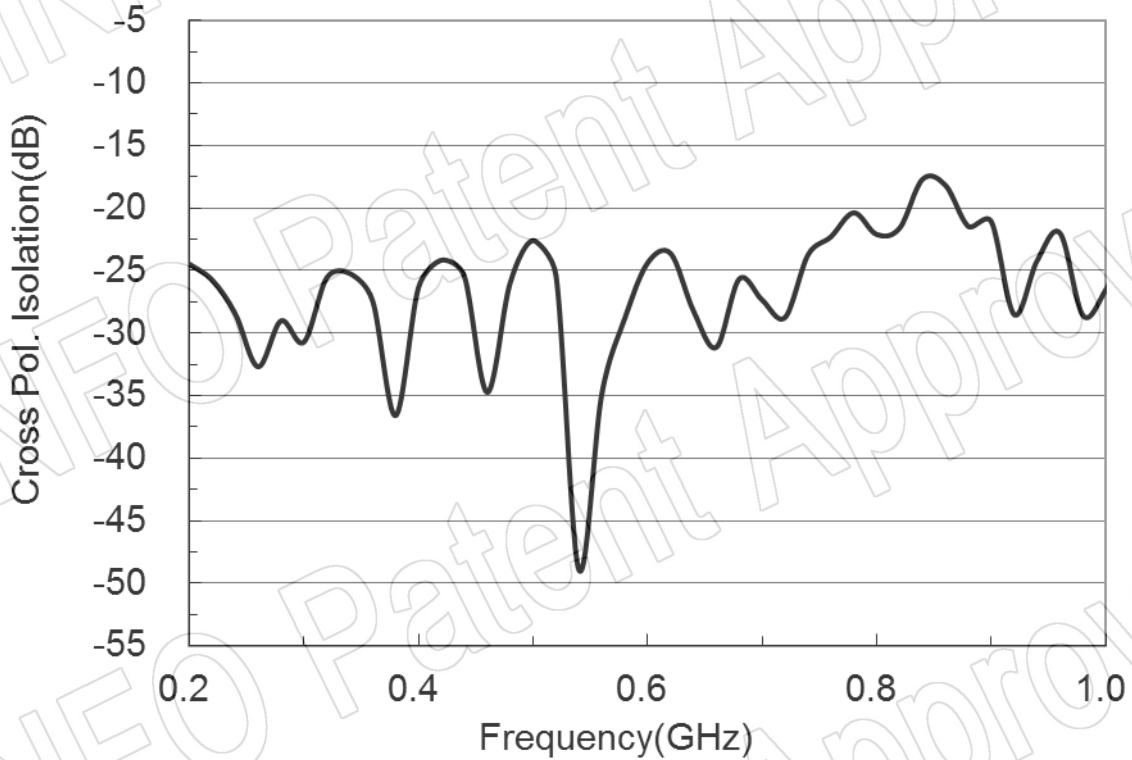
at 3m



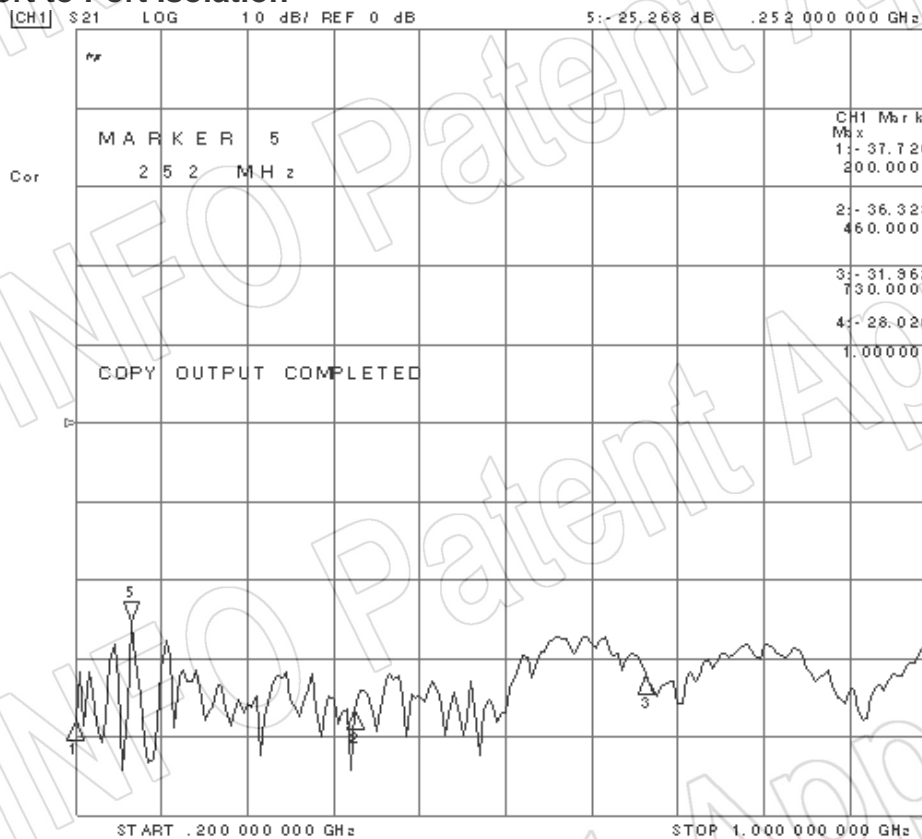
at 10m



3. Cross Polarization Isolation

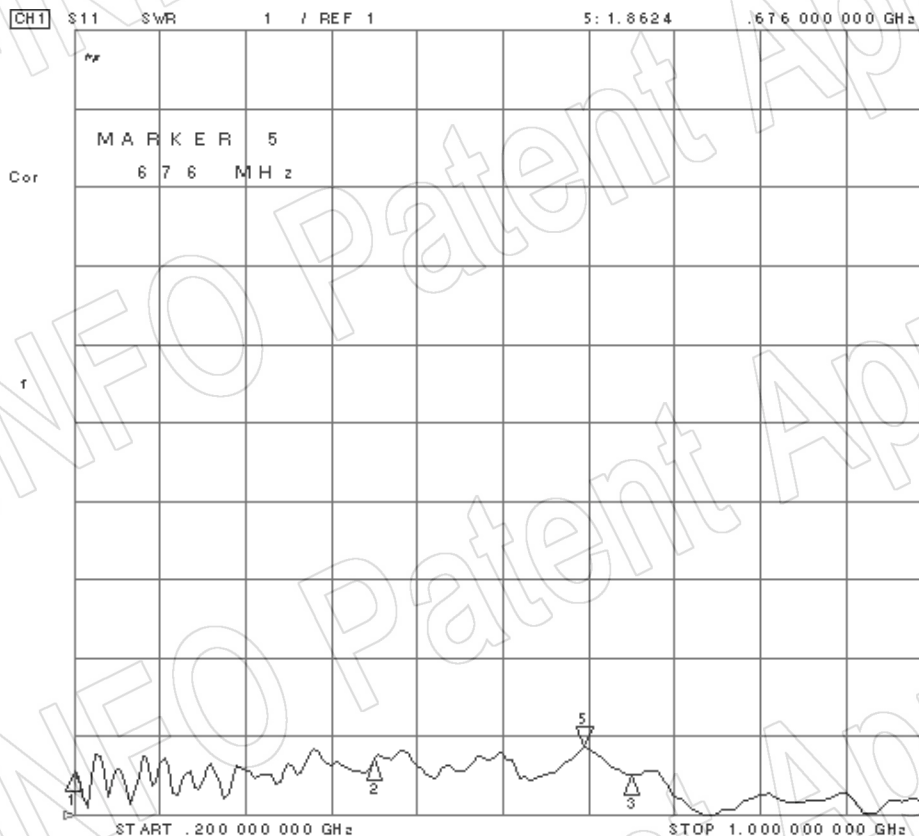


4. Port to Port Isolation



5. VSWR

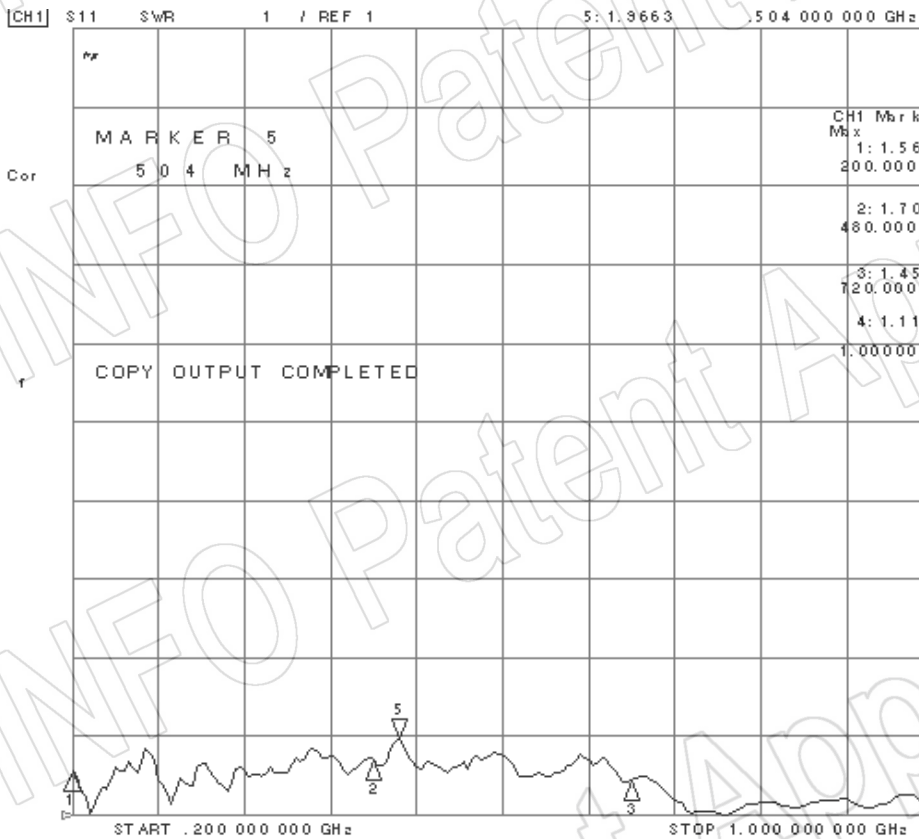
Port-H



CH1 Markers

Marker	Frequency (MHz)
1	1.5770
2	1.7203
3	1.5309
4	1.0804

Port-V



CH1 Markers

Marker	Frequency (MHz)
1	1.5651
2	1.7096
3	1.4583
4	1.1102

6. Pattern

